

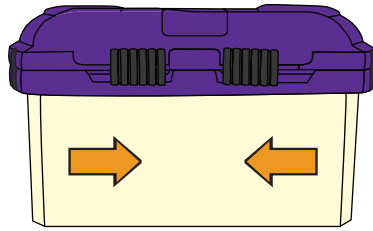
P64 Pharmasmart

Pharmaceutical Waste for Incineration

P64: INSTRUCTIONS FOR USE

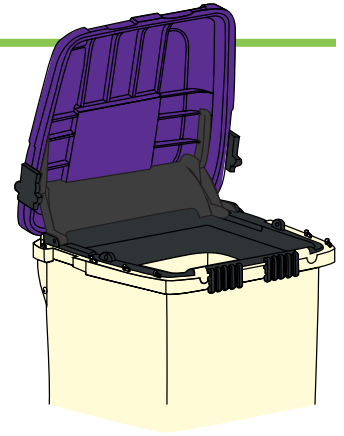
TO OPEN

Slide both front catches inwards towards center.



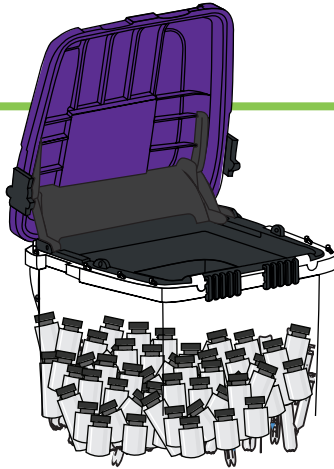
TO USE

Open lid fully in order to deposit pharmaceutical waste. When used in conjunction with foot pedal accessory, step on foot pedal to open container.



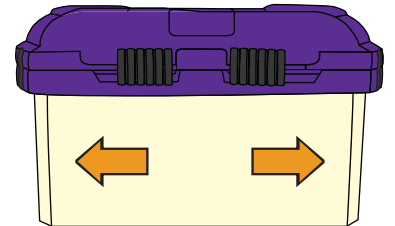
IN USE

Fill with pharmaceutical waste **only**. Once full, the container must be permanently locked and replaced.



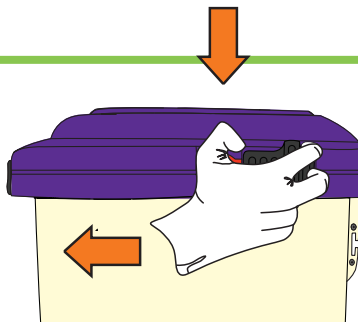
TO CLOSE

Slide both front catches away from each other.



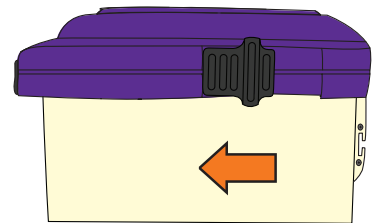
TO LOCK

Depress red tab and slide both side catches completely forward.



PERMANENT LOCK

Both side locks must be engaged in a fully forward position.



ALWAYS WASH HANDS after handling waste.
DO NOT OVERFILL maximum gross weight 40lbs.

www.danielshealth.com

USN151051


Daniels
MAKING HEALTHCARE SAFER