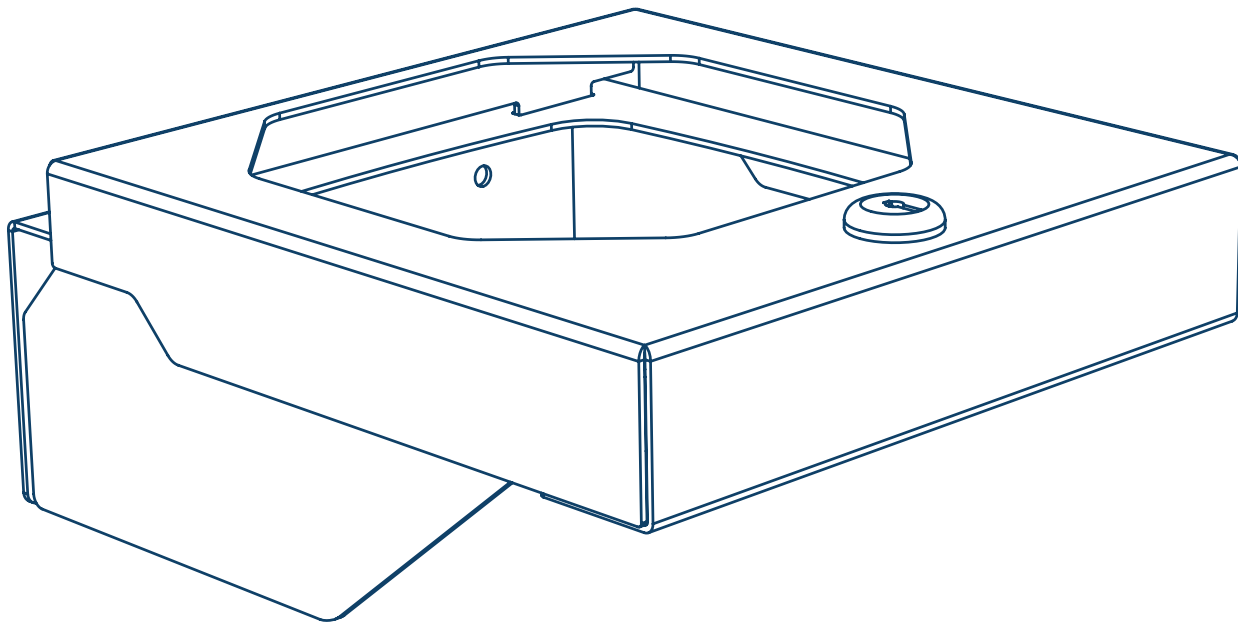


# Static Lock Bracket

## Usage Instructions



**SECURE**  
a DRUG

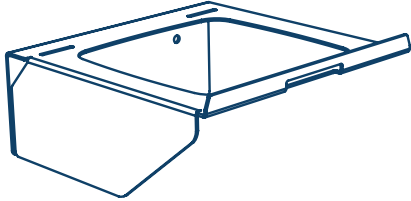


Daniels Sharpsmart Canada Ltd.  
52 Bramsteele Rd, Unit 8  
Brampton, Ontario, L6W 3M5, Canada

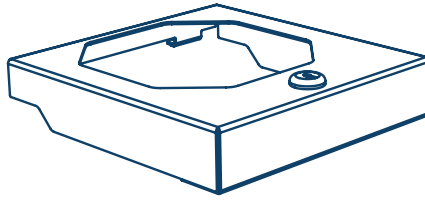
[www.secureadrug.ca](http://www.secureadrug.ca)  
[hello@secureadrug.ca](mailto:hello@secureadrug.ca)  
888 952 5580

# Package Contents

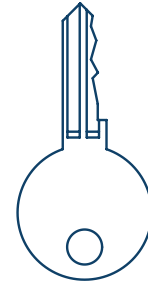
1x



1x



2x



## Installation

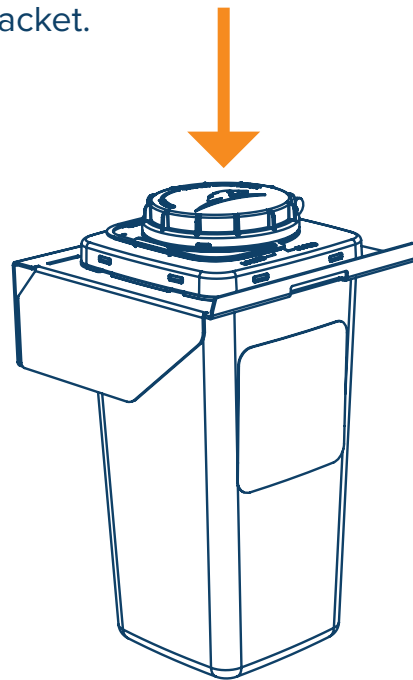
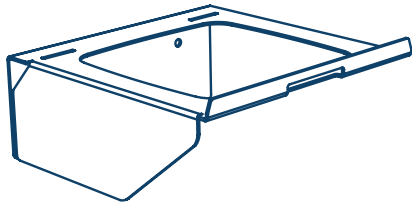
- 1 Purchase 3 wall mount fasteners suitable for the wall material that the Lock Bracket will be fixed to. Fasteners are not included. (The recommended fastener size is #10 gauge or 5mm.)
- 2 Place the bracket on the wall in the desired location, the recommended mounting height is 43" (1100mm) from the ground.



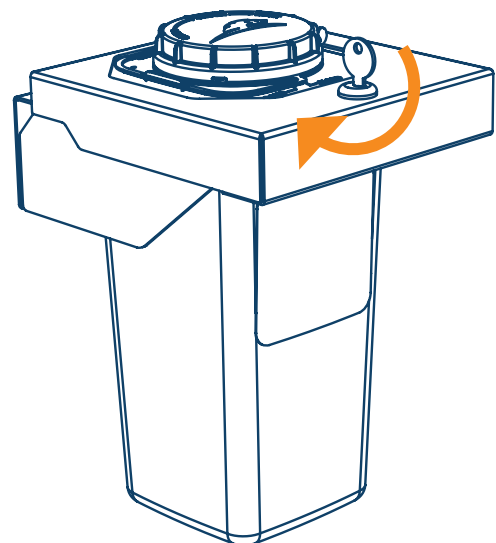
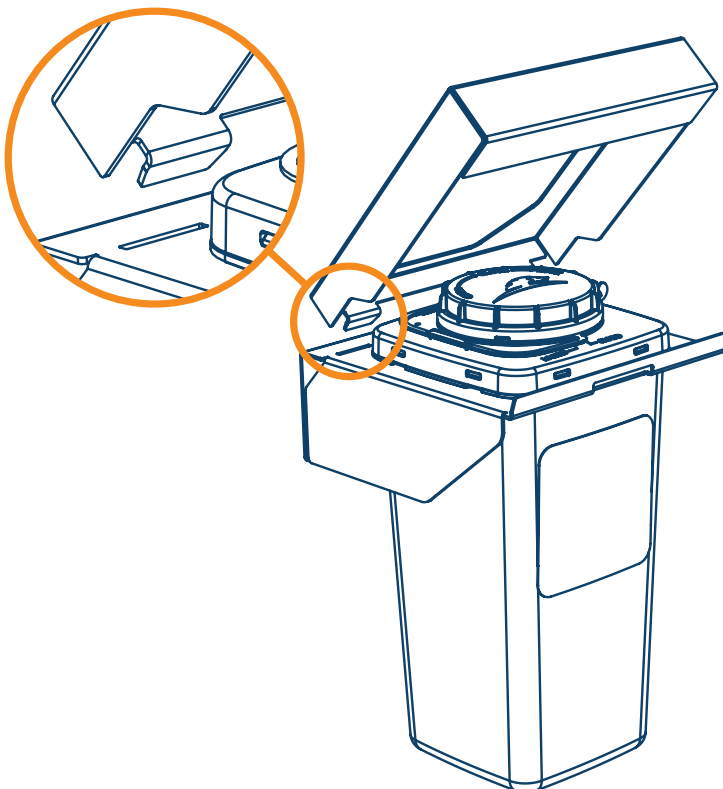
- 3 Drill holes through the 3 mounting holes.
- 4 Mount the bracket in position using 3 x fasteners.

# Operation | Loading a Container

- 1 Place a Secure a Drug container in the bracket.  
Any orientation is suitable.



- 2 To lock the container in place, slide the tabs of the cover into the slots in the bracket.  
Insert the key and rotate clockwise 90° to lock.  
Remove the key.



# Operation | Medication Disposal

- 1 Unscrew the cap and deposit medications inside the container.  
Replace the cap, and twist to the “**CLOSED**” position.  
Do not twist to “**LOCKED**” position until container is ready for disposal.

