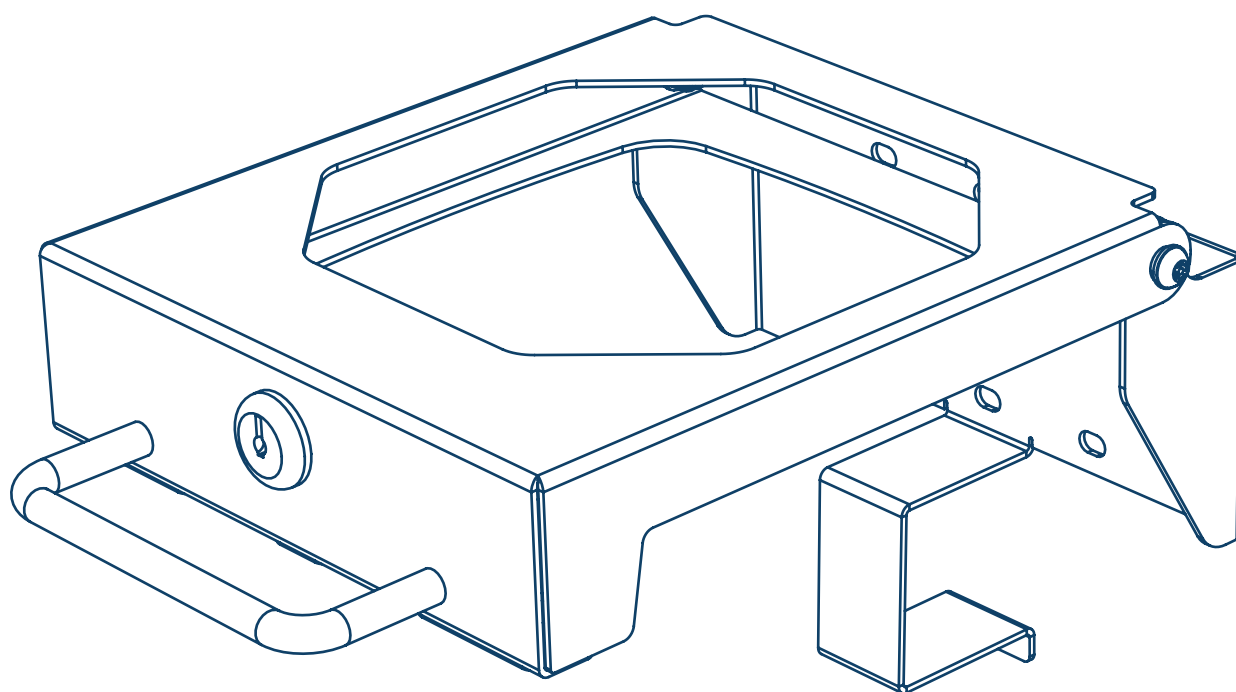


Swing Lock Bracket

Usage Instructions



SECURE
a DRUG

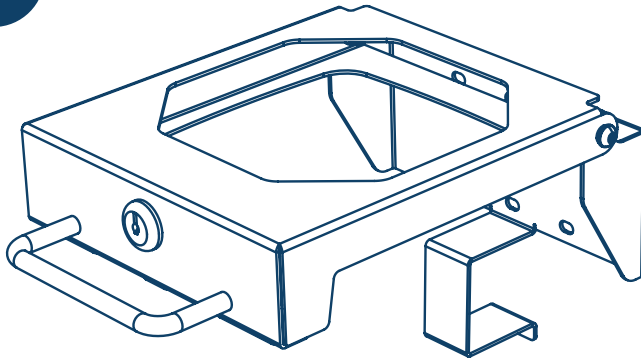


Daniels Sharpsmart Inc,
111 W Jackson Blvd Suite 1900
Chicago Illinois 60604

www.secureadrug.com
hello@secureadrug.com
855 251 2655

Package Contents

1x



1x



Installation

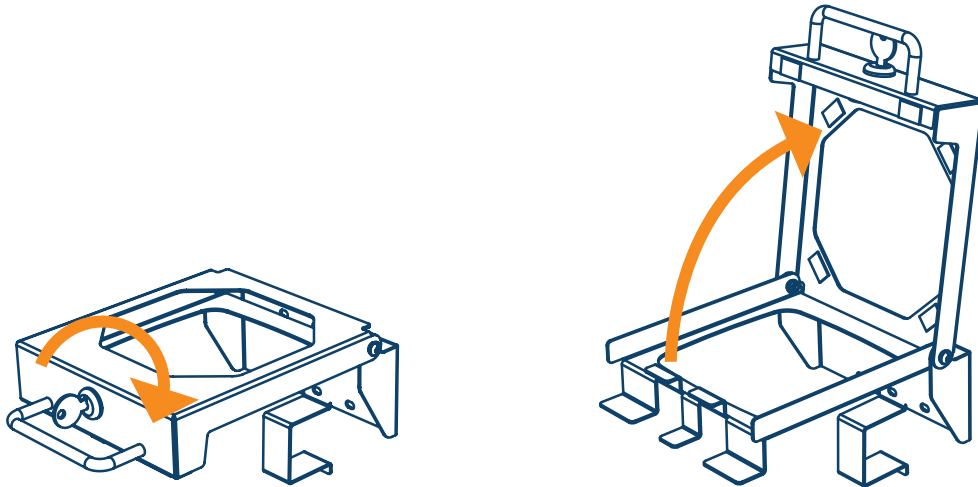
- 1 Purchase 6 wall mount fasteners suitable for the wall material that the Lock Bracket will be fixed to. Fasteners are not included. (The recommended fastener size is #10 gauge or 5mm.)
- 2 A drill template can be found in the center of this booklet if required.
- 3 Place the template on the wall in the desired location, the recommended mounting height is 1100mm from the ground.



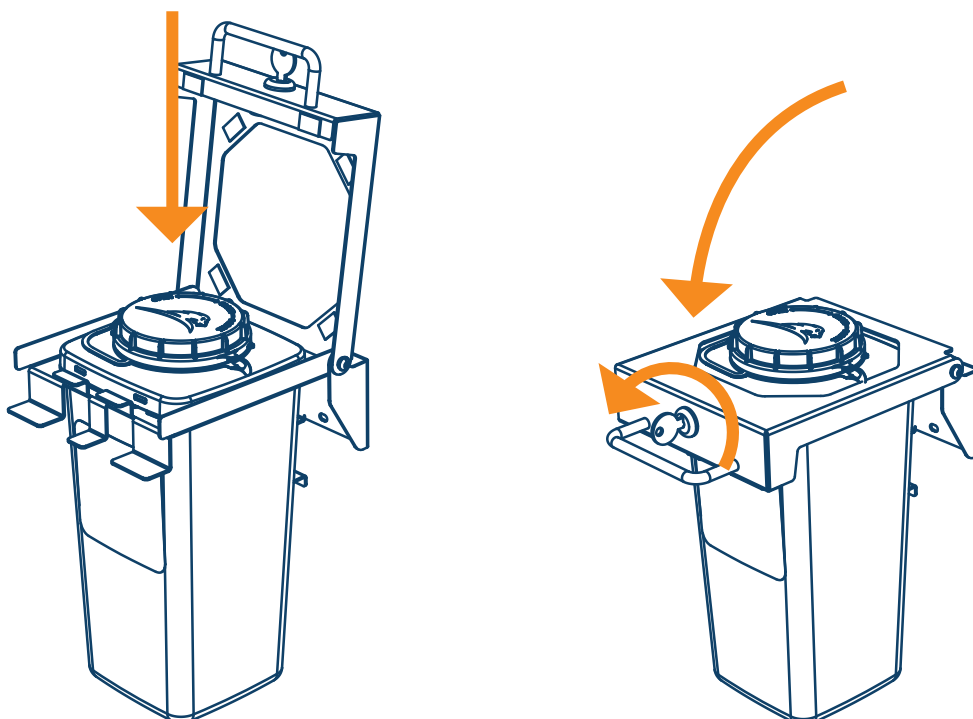
- 4 Drill holes in position using the drill template.
- 5 Mount the bracket in position using 6x fasteners.

Operation | Loading a Container

- 1 Unlock the Bracket by inserting the key and turning clockwise 90°. Use one hand to hold the lid open.

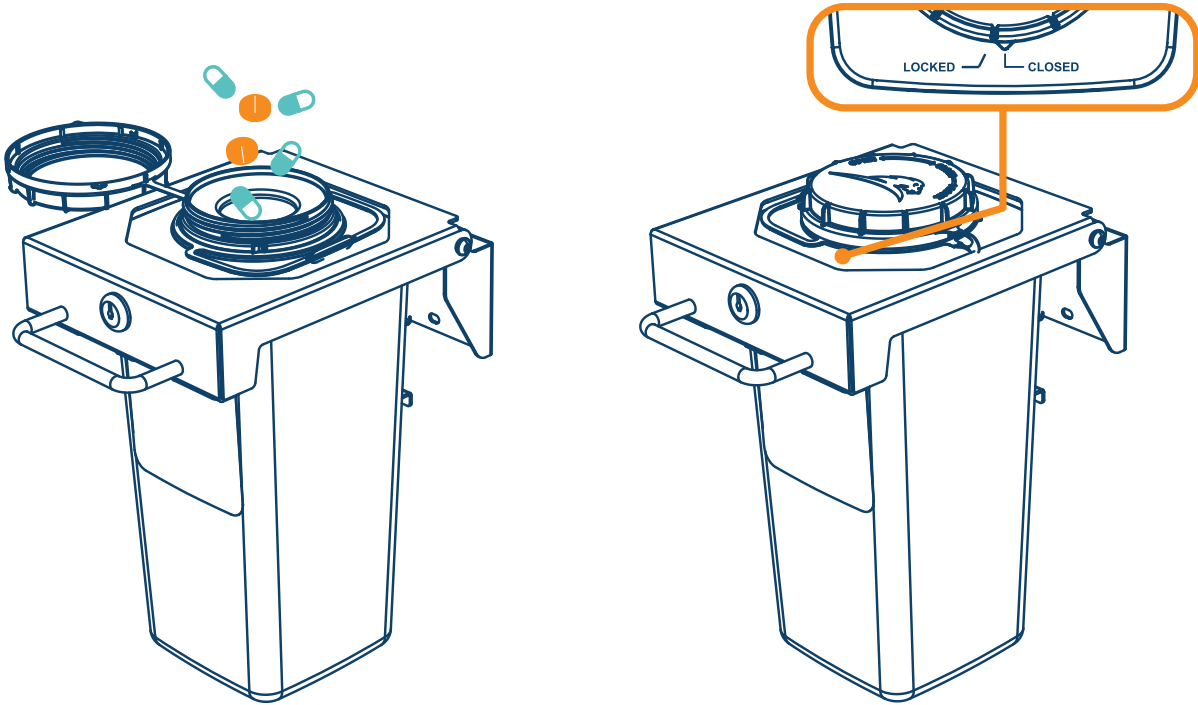


- 2 While holding the lid open, place a container in the bracket. Lock the bracket by closing the lid and turning the key anti-clockwise 90°. Remove the key.



Operation | Medication Disposal

- 1 Unscrew the cap and deposit medications inside the container.
Replace the cap, and twist to the “CLOSED” position.
Do not twist to “LOCKED” position until container is ready for disposal.



- 2 Push the handle up and down 3 times to gently shake the container and mix the medications with the solution inside.

