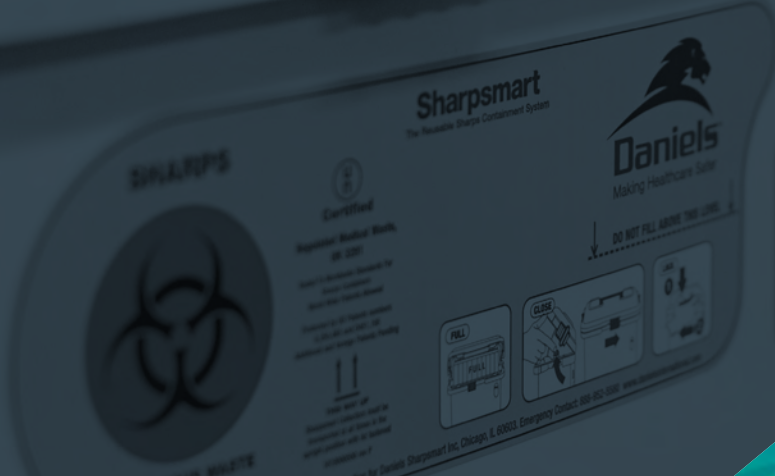
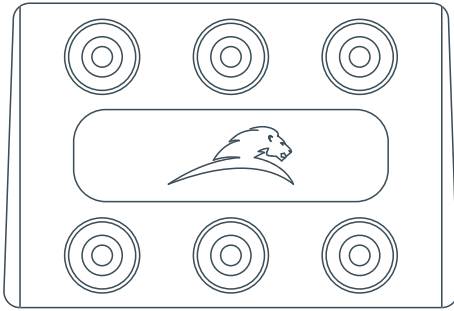


DANIELS SELF-INSTALL KIT

Standard Wall Bracket Instructions



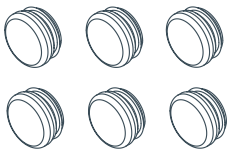
What is in your kit?



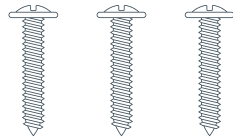
1 X STANDARD WALL BRACKET

Please Note

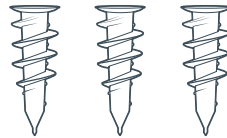
Within these instructions the color BLUE represents any steps that must be taken if installing onto concrete wall.



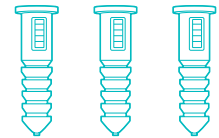
6 X BRACKET PLUGS



3 X SCREWS

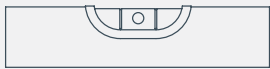


3 X DRYWALL ANCHORS

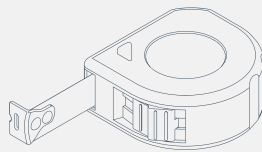


3 X PLASTIC WALL ANCHORS

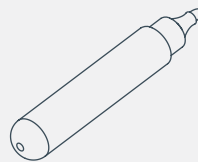
Other things you will need...



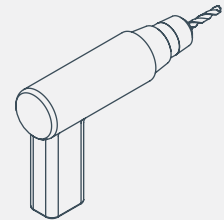
SPIRIT LEVEL



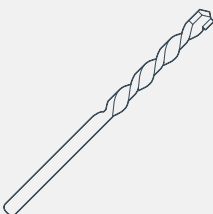
MEASURING TAPE



PERMANENT MARKER



DRILL

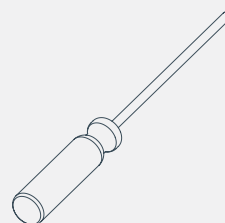


13/16THS DRILL BIT

*Use a masonry drill bit for concrete walls



SCREW DRIVER
DRILL BIT

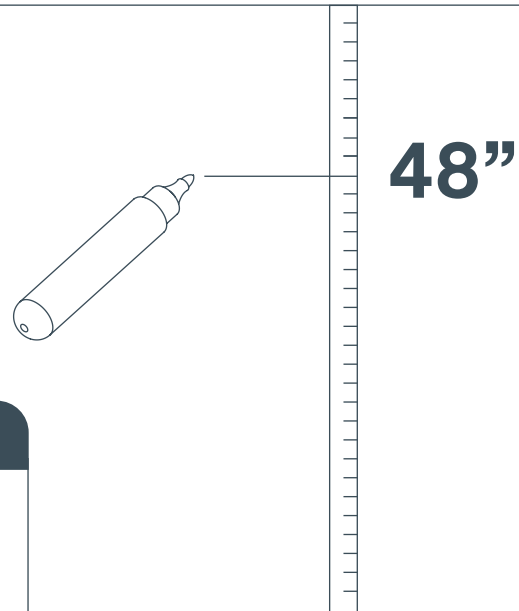


SCREW DRIVER

Standard Bracket Instructions

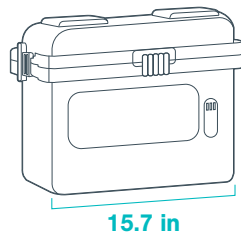
1

Measure 48" from the floor.
Mark on the wall with a permanent marker.



PLEASE NOTE

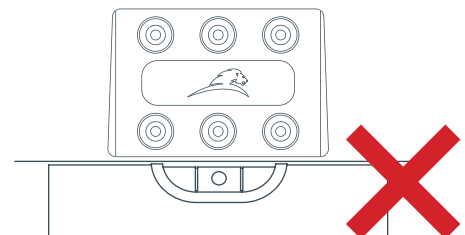
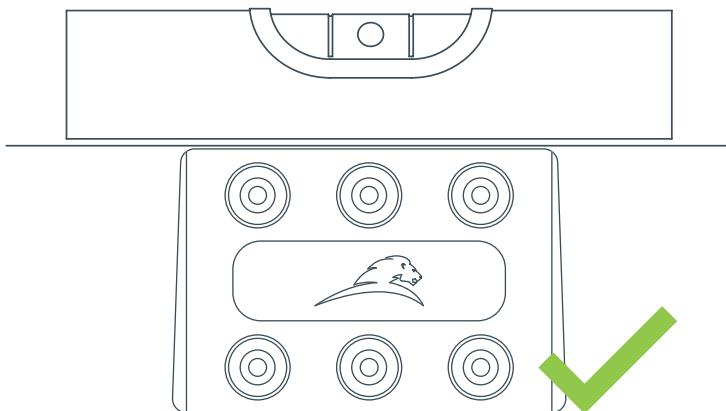
All of our wall mounted containers are **15.7 inches wide**. Please account for the width of the container when mounting your bracket.



More info at danielhealth.com/our-products >

2

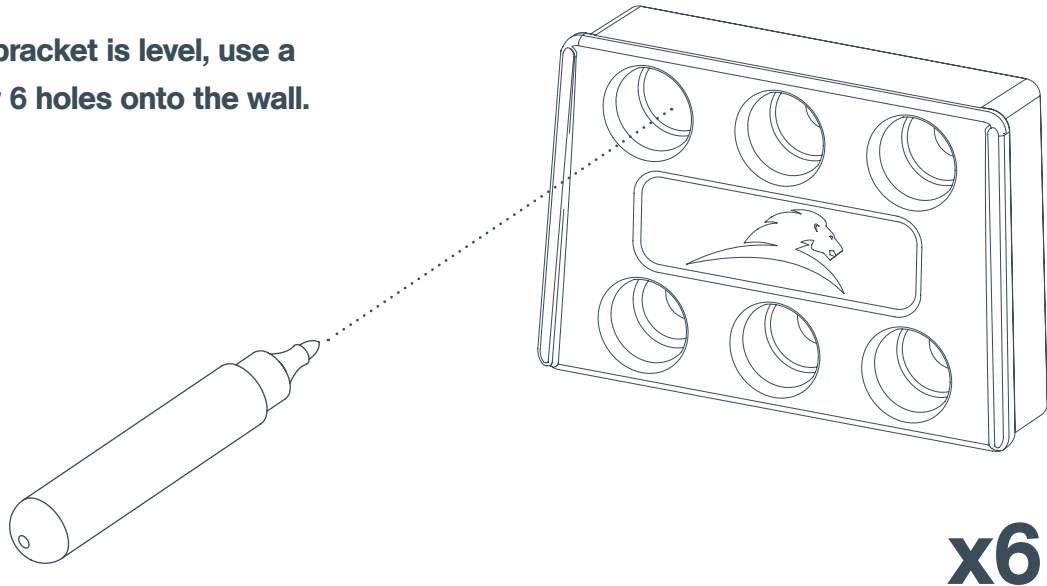
Using the level, place bracket on the wall so that the top of the bracket matches up with 48" mark.



Standard Bracket Instructions

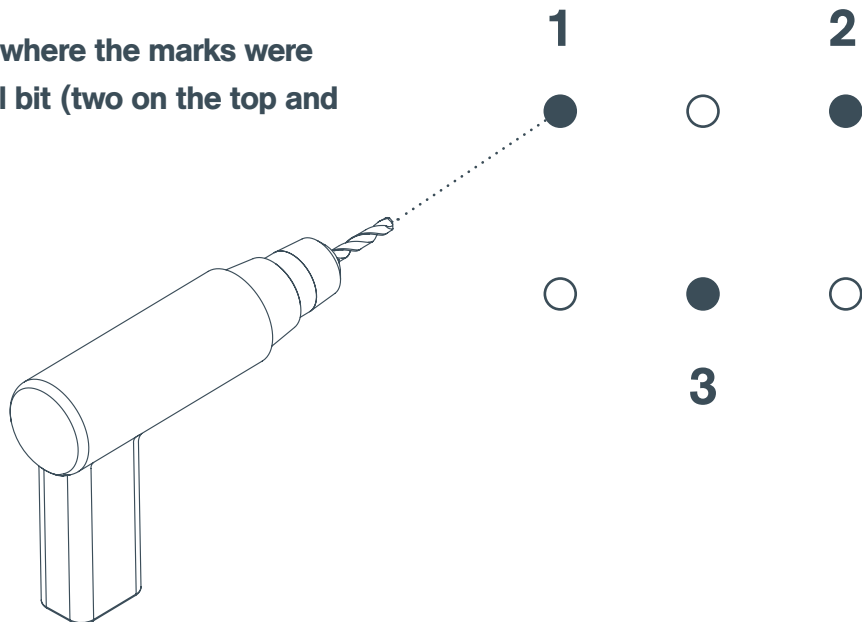
3

While the wall bracket is level, use a marker to draw 6 holes onto the wall.



4

Drill 3 holes into the wall where the marks were made using 13/16ths drill bit (two on the top and one on the bottom).



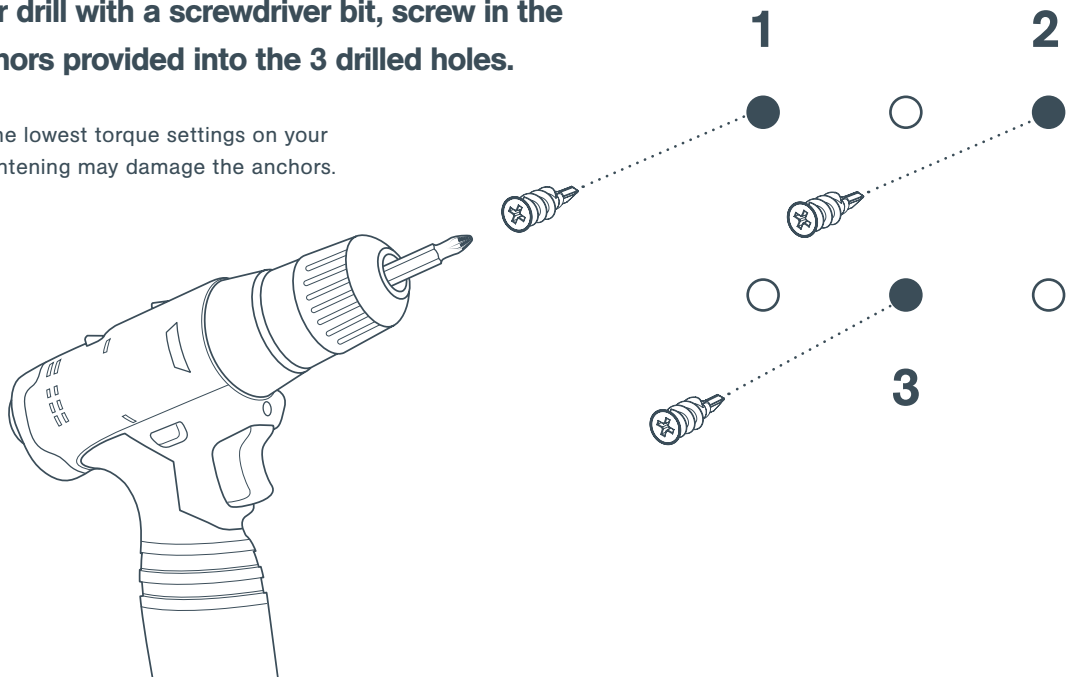
Note: If drilling into a concrete wall, make sure to use a masonry drill bit.

Standard Bracket Instructions

5a. Drywall

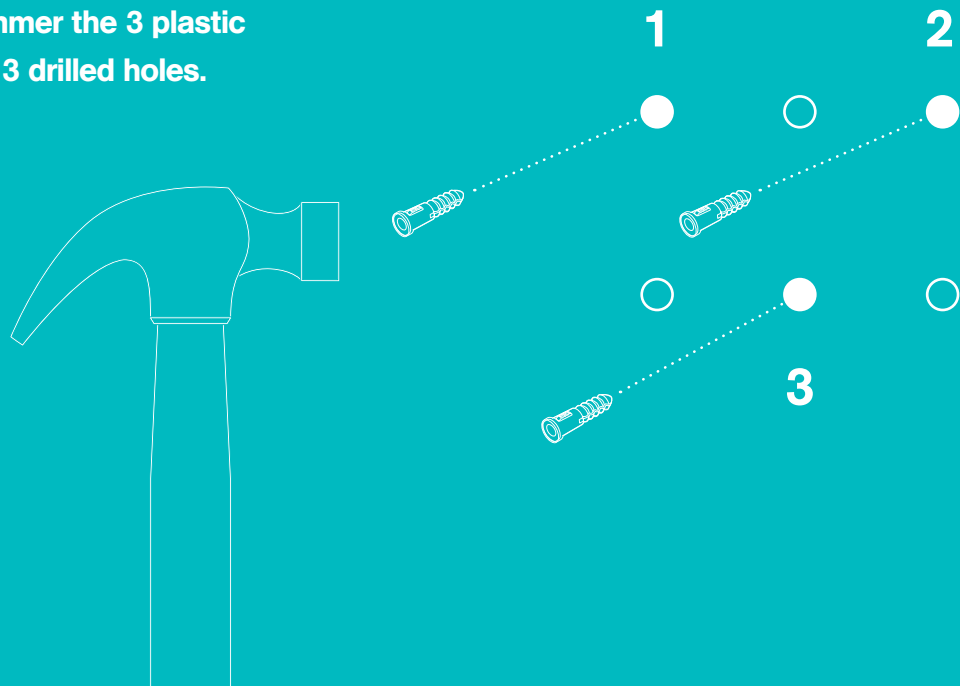
Using a power drill with a screwdriver bit, screw in the 3 drywall anchors provided into the 3 drilled holes.

Please Note: Use the lowest torque settings on your power drill. Overtightening may damage the anchors.



5b. Concrete Wall

Using a hammer, hammer the 3 plastic wall anchors into the 3 drilled holes.

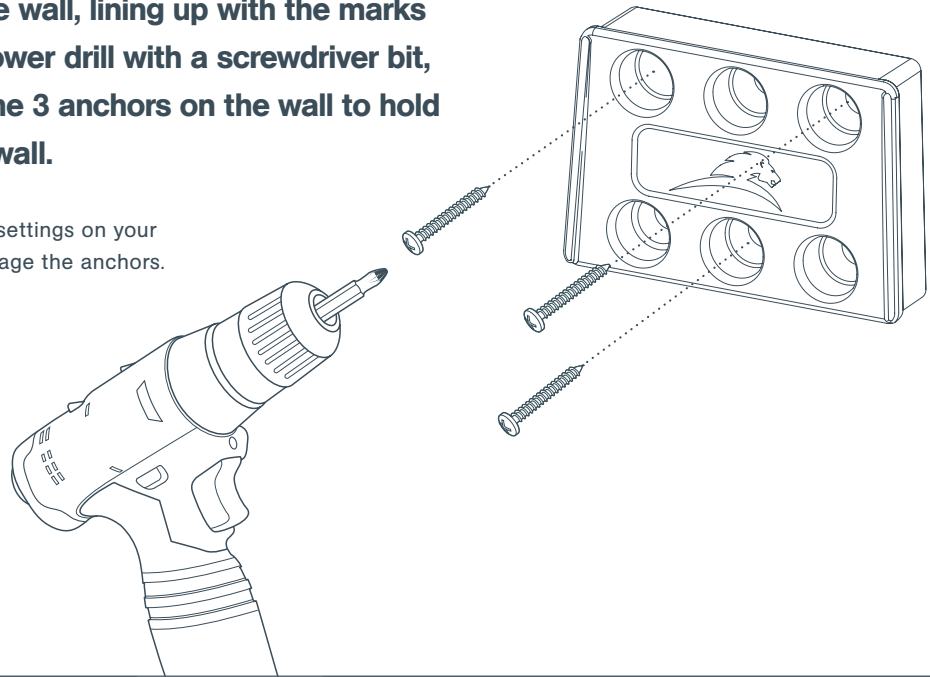


Standard Bracket Instructions

6a. Drywall

Place the bracket onto the wall, lining up with the marks and anchors. Using the power drill with a screwdriver bit, screw the 3 screws into the 3 anchors on the wall to hold the bracket firmly on the wall.

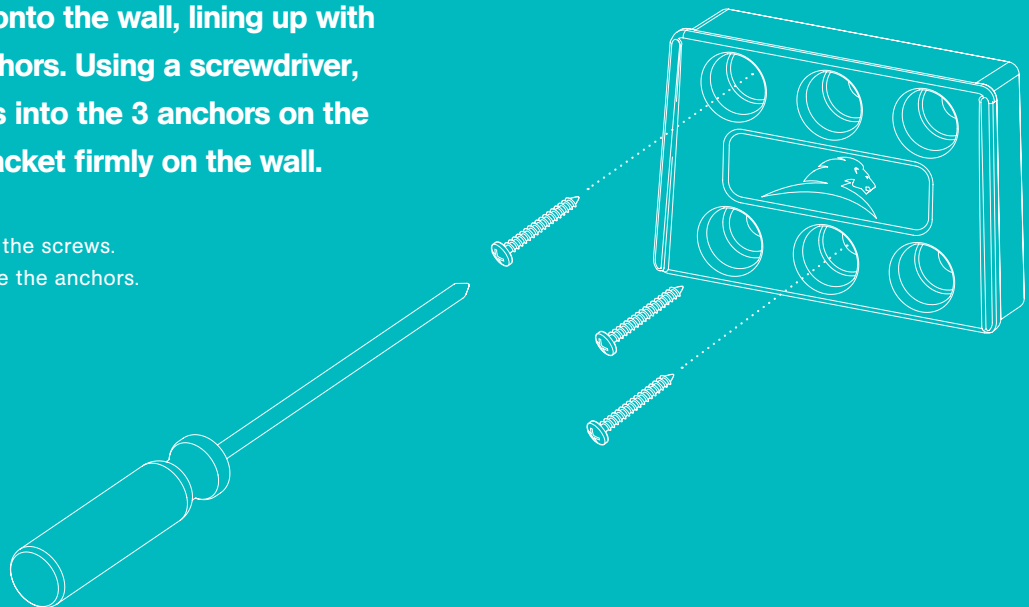
Please Note: Use the lowest torque settings on your power drill. Overtightening may damage the anchors.



6b. Concrete Wall

Place the bracket onto the wall, lining up with the marks and anchors. Using a screwdriver, screw the 3 screws into the 3 anchors on the wall to hold the bracket firmly on the wall.

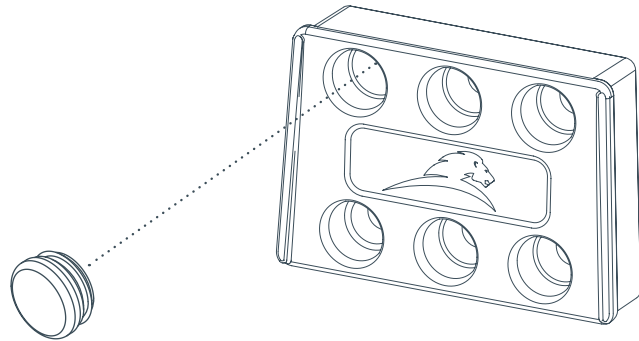
Please Note : Hand tighten the screws.
Overtightening may damage the anchors.



Standard Bracket Instructions

7.

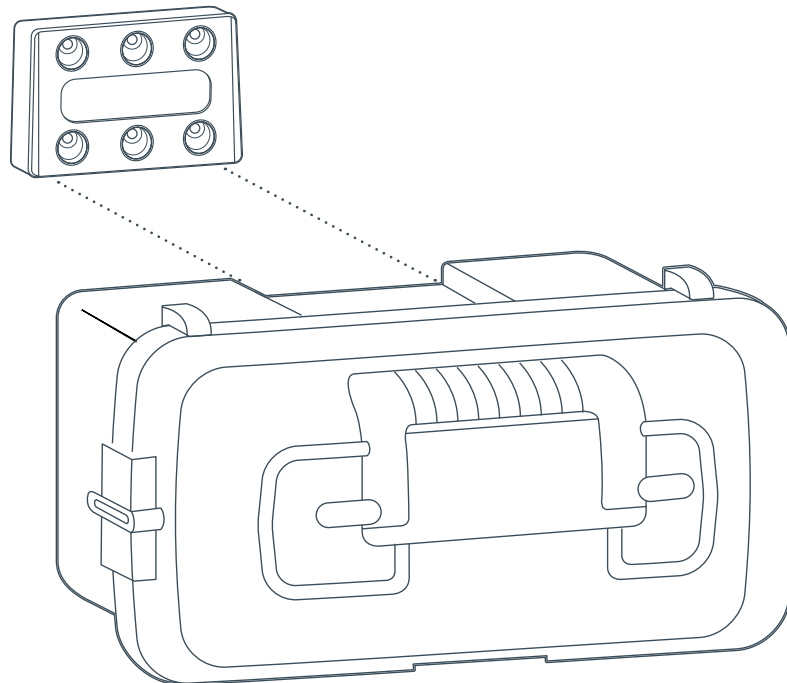
Firmly push the bracket plugs into all 6 holes located on the front face of the wall bracket.



x6

8.

Line up the bottom of your SharpSmart container with the bottom of the bracket.



Standard Bracket Instructions

9.

Flip the Sharpsmart container up (so the container is upright) and slide down onto the bracket.

